

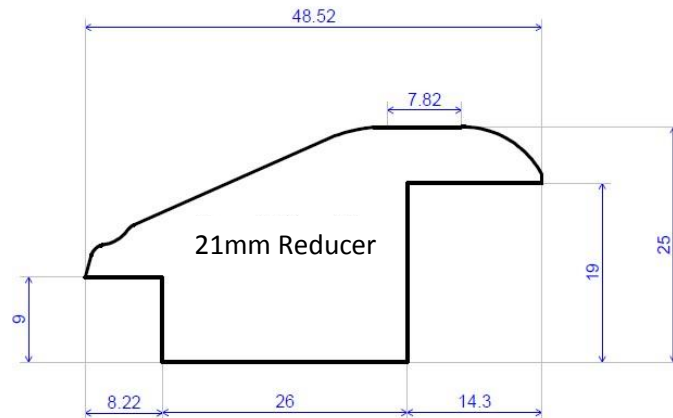
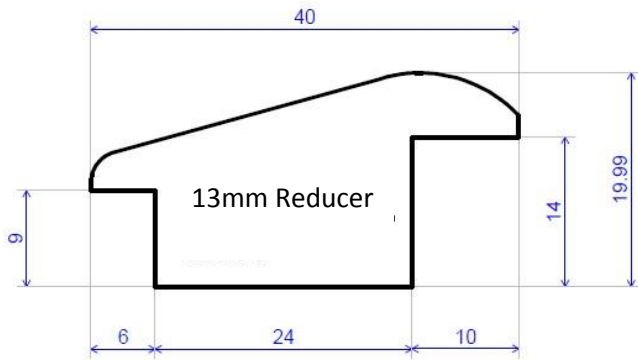
Profiles Of Standard Trims

Reducer:



13mm reducing down to 8mm

21mm reducing down to 8mm

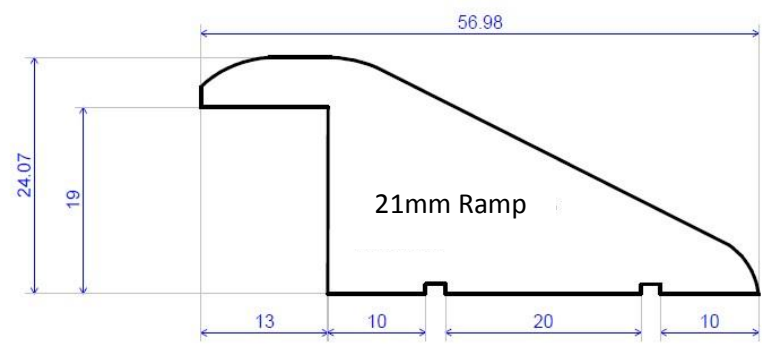
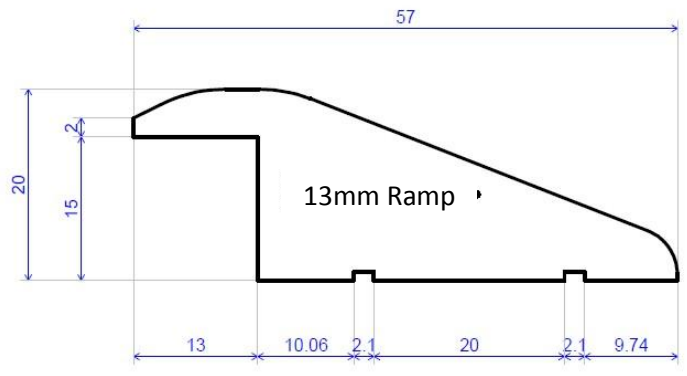


Ramp:

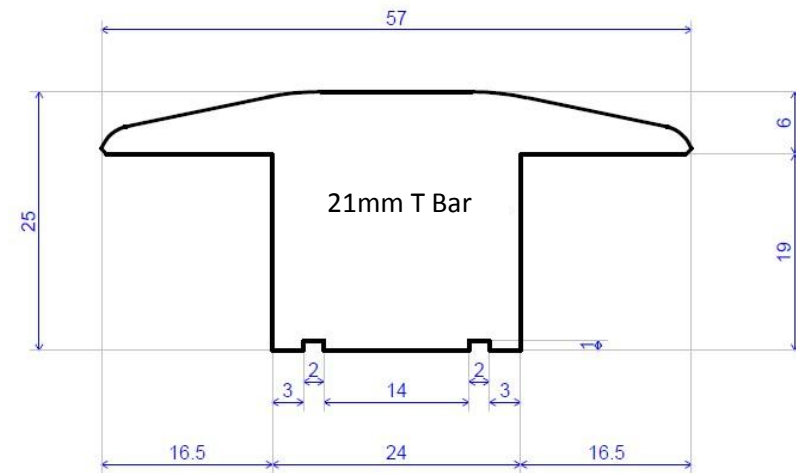
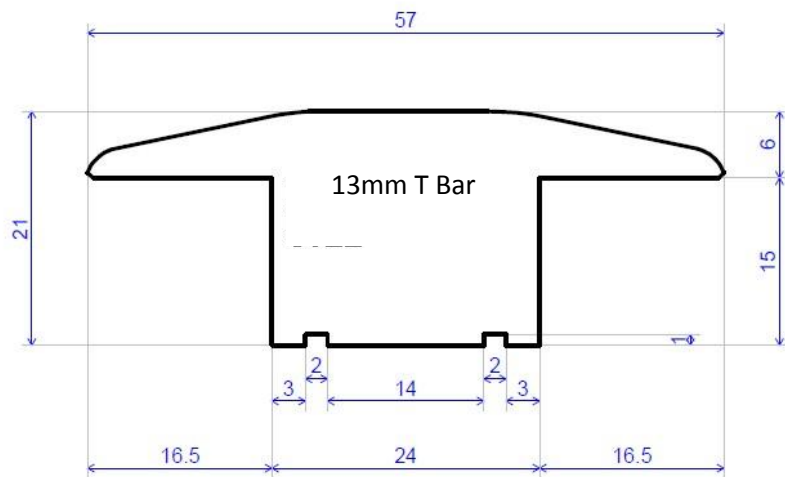
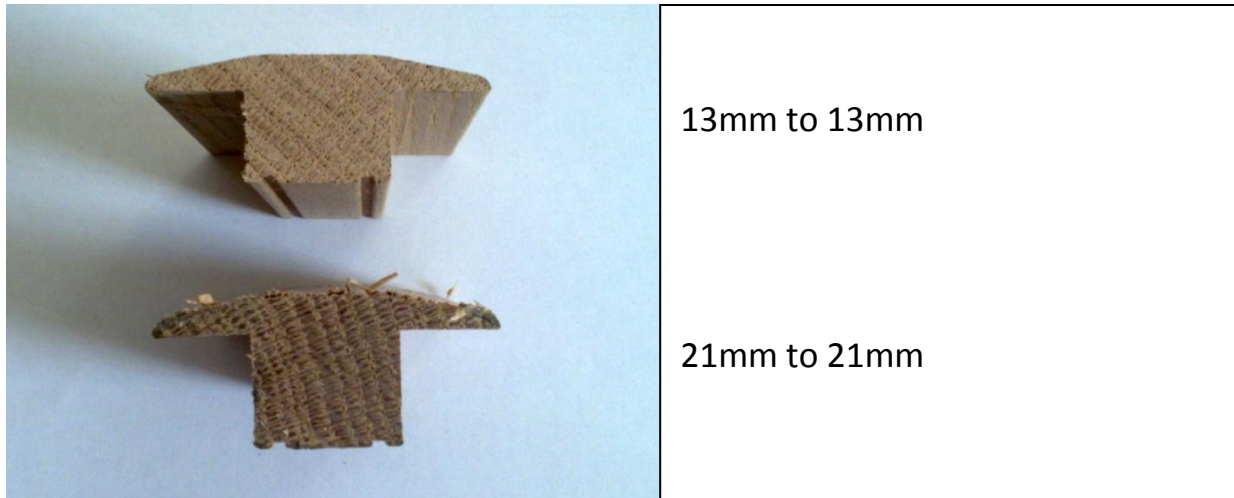


13mm reducing down to zero

21mm reducing down to zero



T-Bar:



L-Mould (end stop):

